

TOSHIBA BIPOLAR LINEAR INTEGRATED CIRCUIT SILICON MONOLITHIC

TA2022AFN

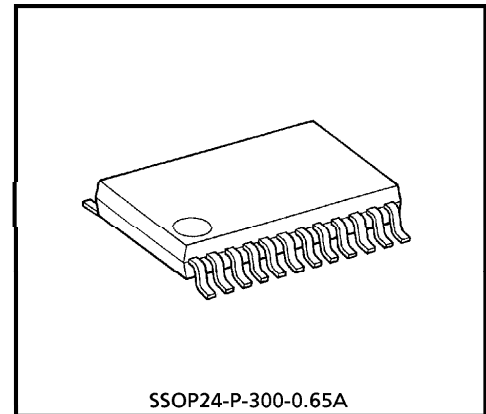
1.5V AM / FM IF + MPX

TA2022AFN is the AM / FM IF + MPX system IC, which is developed for headphone radio in 1.5V use.

This is included many functions and this can be used for Digital Tuning System with IF counter.

FEATURES

- Suitable for combination with Digital Tuning System which is included IF counter.
 - Built-in AM / FM IF count output for IF counter of Digital Tuning System.
 - FM : 10.7MHz
 - AM : 450kHz
 - Adjustable for stop pulse sensitivity (in FM mode)
- For adopting ceramic discriminator, it is not necessary to adjust the FM QUAD detector circuit.
- Built-in AM IF output for AM stereo
- MPX input for main signal is independent of that for pilot signal. (MPX input for pilot signal is shared with AM input)
- MPX output is high-impedance in power off mode.
- Built-in power switch
- Low supply current ($V_{CC} = 1.2V$, $T_a = 25^\circ C$)
 - FM mode : $I_{CC2} = 5.5mA$ (Typ.)
 - AM mode : $I_{CC3} = 3.7mA$ (Typ.)
- Operating supply voltage range ($T_a = 25^\circ C$)
 - $V_{CC(opr)} = 0.95 \sim 2.2V$
- Stereo operating supply voltage range ($T_a = 25^\circ C$)
 - $V_{CC(opr)} = 1.0 \sim 2.2V$



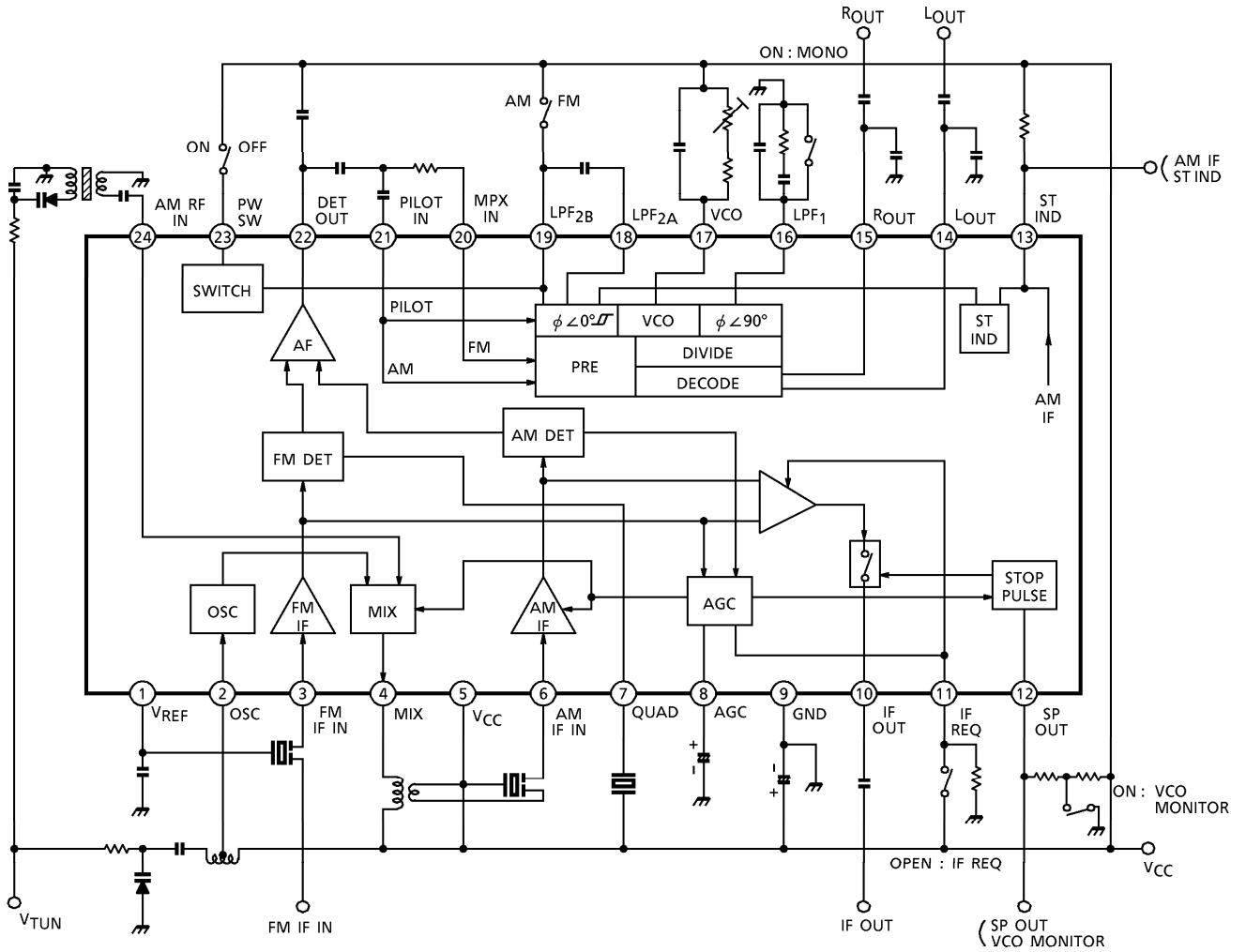
SSOP24-P-300-0.65A

Weight : 0.14g (Typ.)

980910EBA2

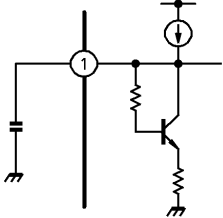
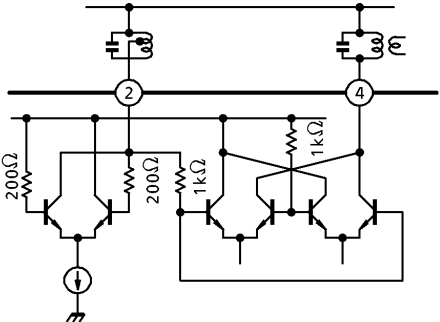
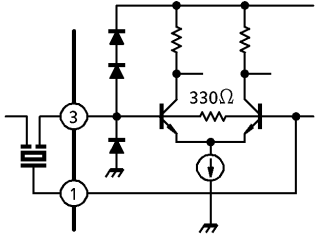
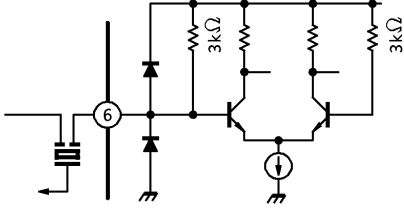
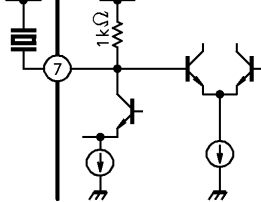
- TOSHIBA is continually working to improve the quality and the reliability of its products. Nevertheless, semiconductor devices in general can malfunction or fail due to their inherent electrical sensitivity and vulnerability to physical stress. It is the responsibility of the buyer, when utilizing TOSHIBA products, to observe standards of safety, and to avoid situations in which a malfunction or failure of a TOSHIBA product could cause loss of human life, bodily injury or damage to property. In developing your designs, please ensure that TOSHIBA products are used within specified operating ranges as set forth in the most recent products specifications. Also, please keep in mind the precautions and conditions set forth in the TOSHIBA Semiconductor Reliability Handbook.
- The products described in this document are subject to the foreign exchange and foreign trade laws.
- The information contained herein is presented only as a guide for the applications of our products. No responsibility is assumed by TOSHIBA CORPORATION for any infringements of intellectual property or other rights of the third parties which may result from its use. No license is granted by implication or otherwise under any intellectual property or other rights of TOSHIBA CORPORATION or others.
- The information contained herein is subject to change without notice.

BLOCK DIAGRAM



TERMINAL EXPLANATION

Terminal voltage : Typical terminal voltage at no signal with the test circuit 1 ($V_{CC} = 1.2V$, $T_a = 25^{\circ}C$)

TERMINAL		FUNCTION	INTERNAL CIRCUIT	TERMINAL VOLTAGE (V)	
No.	NAME			AM	FM
1	VREF	Referential voltage Bypass terminal for AM RF and FM IF Amplifier		0.9	0.9
2	OSC	AM OSC		1.2	1.2
4	MIX	Output of AM MIX		1.2	1.2
3	FM IF IN	Input of FM IF signal ● Input impedance 330Ω (Typ.)		0.9	0.9
5	VCC	—	—	1.2	1.2
6	AM IF IN	Input of AM IF signal ● Input impedance 3kΩ (Typ.)		1.2	1.2
7	QUAD	FM QUAD Detector		1.2	1.2

TERMINAL		FUNCTION	INTERNAL CIRCUIT	TERMINAL VOLTAGE (V)	
No.	NAME			AM	FM
8	AGC	<ul style="list-style-type: none"> AM mode AGC time constant is determined by external capacitor. FM mode The sudden change of stop pulse sensitivity is held in by external capacitor. 		—	—
9	GND	—	—	0	0
10	IF OUT	<p>Output of IF count signal</p> <p>In case of IF request mode, IF count signal for IF counter is taken from this terminal.</p> <p>(FM : $V_{IF(FM)} = 80mV_{p-p}$ (Typ.) AM : $V_{IF(AM)} = 100mV_{p-p}$ (Typ.)</p>		—	—
11	IF REQ	<p>IF request switch</p> <p>(VCC : Receive mode OPEN : IF request mode</p> <p>FM stop pulse sensitivity can be changed by connecting R_{SEN} in IF request mode. R_{SEN} should be smaller than $100k\Omega$.</p>		—	—
12	SP OUT	<p>Output of stop pulse</p> <p>VCO frequency can be monitored, in case that this terminal is connected with GND through a resistor ($R_{VCO} \cong 100k\Omega$).</p> <p>(ON : VCO monitor OPEN : SP OUT</p>		—	—
13	ST IND	<p>Stereo indicator terminal</p> <ul style="list-style-type: none"> This terminal shared with output of modulated AM IF signal. AM IF output : $6mV_{rms}$ ($R_{IF} = 3k\Omega$, Typ.) R_{IF} should be smaller than $3k\Omega$. In case that $R_{IF} > 3k\Omega$, internal biasing circuit doesn't operate normally in AM mode. 		—	—

TERMINAL		FUNCTION	INTERNAL CIRCUIT	TERMINAL VOLTAGE (V)	
No.	NAME			AM	FM
14	L _{OUT}	Output of stereo signal These terminals are high-impedance in power off mode.		0.5	0.5
15	R _{OUT}				
16	LPF ₁	LPF terminal for phase detector		—	—
17	VCO	VCO The temperature characteristic of free running frequency is +350ppm/°C. Temperature coefficient : SH		—	1.2
18	LPF _{2A}	LPF terminal for synchronous detector		—	—
19	LPF _{2B}	LPF terminal for synchronous detector and AM/FM switch (V _{CC} : AM mode OPEN : FM mode		1.2	—
21	PILOT IN	Input of FM stereo pilot signal and AM signal		0.1	0.1

TERMINAL		FUNCTION	INTERNAL CIRCUIT	TERMINAL VOLTAGE (V)	
No.	NAME			AM	FM
20	MPX IN	Input of FM stereo main signal		—	0.1
22	DET OUT	Detector output circuit <ul style="list-style-type: none"> • Output impedance (Typ.) (AM : 10kΩ FM : 1kΩ 		0.6	0.6
23	PW SW	Power switch <ul style="list-style-type: none"> (VCC : IC on OPEN / GND : IC off 		1.2	1.2
24	AM RF IN	Input of AM RF signal <ul style="list-style-type: none"> • Input impedance : 13kΩ (Typ., at no signal) 		0.9	0

APPLICATION NOTE

1. Power switch

It is necessary to connect an external pull-down resistor with the terminal of PW SW (pin²³), in case that this IC is turned on due to external noise etc.

2. Mode switch

The terminal of AM/FM changeover is pin¹⁹.

In controlling the AM/FM mode with voltage, it is applied as follows.

(V_{CC} : AM mode
 OPEN : FM mode

In FM mode, care should be taken to eliminate influence due to external noise etc, because this terminal is opened.

The leak current flows through this terminal, in the case that the terminal is connected to V_{CC} line independently, even through this IC is off mode (the terminal of PW SW (pin²³) is off mode).

3. IF count output

IF count signal can be taken from IF output terminal (pin¹⁰), when IF request terminal (pin¹¹) is connected with GND through R_{SEN} and stop pulse sensitivity is on.

	SWITCH CONDITION		OUTPUT FREQUENCY	OUTPUT VOLTAGE (Typ.)	OUTPUT IMPEDANCE (Typ.)
	pin ¹¹	pin ¹⁹			
FM	OPEN	OPEN	10.7MHz	80mV _{p-p}	2kΩ
AM	(R _{SEN} ≤ 100kΩ)	V _{CC}	450kHz	100mV _{p-p}	

Table.1 IF count output

4. FM stop pulse sensitivity

FM stop pulse sensitivity can be changed by connecting an external resistor R_{SEN} between IF request terminal (pin¹¹) and GND. The gain of FM IF amplifier is controlled by R_{SEN}, and FM stop pulse sensitivity is changed.

It is advised that R_{SEN} is 100kΩ or less.

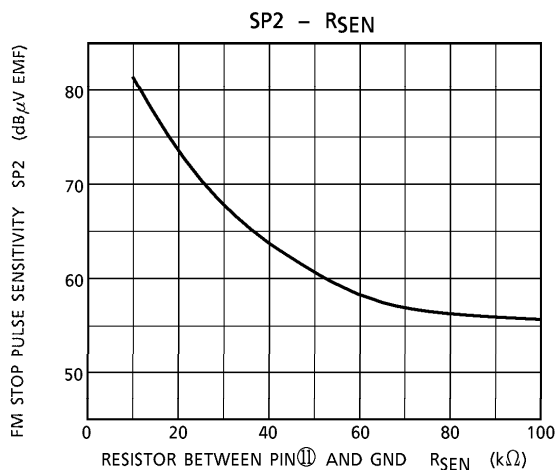


Fig.1 SP2 - RSEN

5. MPX IN

This IC can attenuate only FM stereo main signal level. Because MPX input for main signal (pin⑳) is independent of that for pilot signal (pin㉑), this terminal is shared with AM input). Internal circuit of MPX IN terminal (pin⑳) is shown in Fig.2. FM stereo main signal level can be attenuated by connecting an external resistor R_X . Because FM stereo main signal level is attenuated by internal resistor ($14k\Omega$ and $10k\Omega$) and resistor R_X . And it is applied to an emitter of transistor Q.

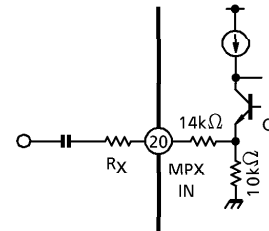


Fig.2 Internal circuit of MPX IN terminal

6. AM tweets

It is necessary to connect the capacitor C_t (about $330pF$) between V_{CC} terminal (pin⑤) and DET OUT (pin㉒), in case that AM tweets occurs by pattern layout. (Fig.3) This C_t can also functions as phase compensation of MPX stage.

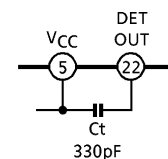


Fig.3 Countermeasures for AM tweets

7. AM AGC

It is necessary to connect a capacitor C (about $68pF$) between V_{CC} terminal (pin⑤) and AM IF IN terminal (pin⑥), in case that AGC circuit doesn't operate normally. Because second harmonic of local oscillator is applied AM IF terminal (pin⑥) by pattern layout. In case that capacitor ($C = 68pF$) is connected, AM stop pulse sensitivity is delayed about 1dB. Output DC voltage of AGC terminal (pin⑧) is $V_g = 0.1V$ (Typ., AM mode, at no signal).

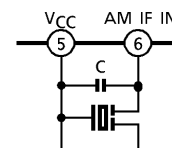


Fig.4 AM trap circuit

8. Stereo indicator / AM IF output (for AM stereo)

- The terminal of pin⑬ is built in stereo indicator function and modulated AM IF signal output. In AM mode, R_{IF} ($3k\Omega$ or less) should be connected between V_{CC} and pin⑬, or pin⑬ should be connected to V_{CC} directly. (Fig.5) In case that $R_{IF} > 3k\Omega$ or pin⑬ is opened, this IC doesn't operate normally in AM mode. Because transistor Q_2 is saturated.

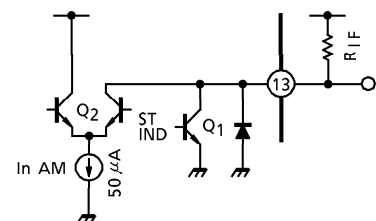


Fig.5 Internal circuit of pin⑬

- AM IF output
 $V_{IF(AM\ MOD)} = 6mV_{rms}$ (Typ. $R_{IF} = 3k\Omega$)
 The applications of this terminal are explained as follow.

(a) Method to use stereo indicator and AM IF output.
 External circuit is recommended as shown in Fig.6.

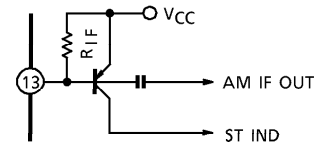


Fig.6 Method to use stereo indicator and AM IF output.

(b) Method to use stereo indicator.
 External circuit is recommended as shown in Fig.7.
 R_{IF} is not needed in case that this IC is not use in AM mode.

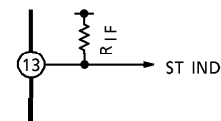


Fig.7 Method to use stereo indicator.

(c) Method to use AM IF output
 External circuit is recommended as shown in Fig.8.

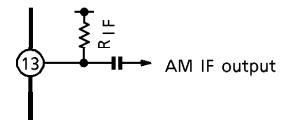


Fig.8 Method to use AM IF output.

(d) In case that functions of this terminal are not used.
 External circuit is recommended as shown in Fig.9.
 R_{IF} is not needed in case that this IC is not used in AM mode.

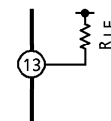


Fig.9 In case that functions of this terminal are not used.

MAXIMUM RATINGS ($T_a = 25^\circ C$)

CHARACTERISTIC	SYMBOL	RATING	UNIT
Supply Voltage	V_{CC}	4.5	V
Stop Pulse Voltage	V_{SP}	4.5	V
Stop Pulse Current	I_{SP}	10	mA
Stereo Indicator Voltage	V_{ST}	4.5	V
Stereo Indicator Current	I_{ST}	10	mA
Power Dissipation	P_D (Note)	500	mW
Operating Temperature	T_{opr}	-25~75	$^\circ C$
Storage Temperature	T_{stg}	-55~150	$^\circ C$

(Note) Derated above $T_a = 25^\circ C$ in the proportion of $4mW/^\circ C$.

ELECTRICAL CHARACTERISTICS

Unless otherwise specified

$V_{CC} = 1.2V$, $T_a = 25^\circ C$, SW1 : a, SW4 : OPEN, SW5 : a, SW6 : a / b, SW7 : ON

FM IF : $f = 10.7MHz$, $f_m = 1kHz$, $\Delta f = \pm 22.5kHz$, $V_{in} = 80dB_{\mu V}$ EMF, SW2 : ON, SW3 : b

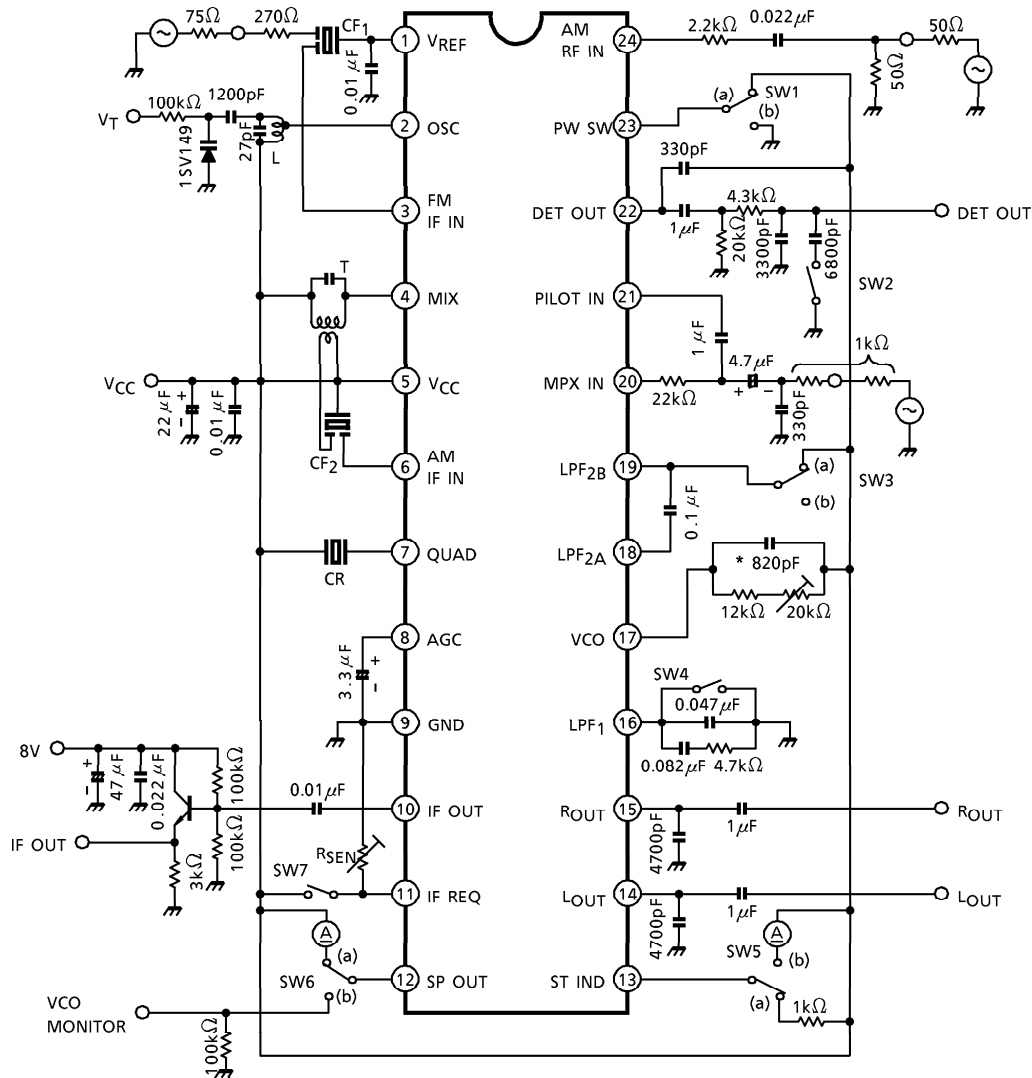
AM : $f = 1MHz$, $f_m = 1kHz$, MOD = 30%, $V_{in} = 60dB_{\mu V}$ EMF, SW2 : OPEN, SW3 : a

MPX : $f_m = 1kHz$, $f_p = 19kHz$, SW3 : b

CHARACTERISTIC		SYMBOL	TEST CIRCUIT	TEST CONDITION	MIN.	TYP.	MAX.	UNIT
Supply Current		I _{CC1}	1	PW OFF, SW1 : b	—	—	5	μA
		I _{CC2}		FM mode, $V_{in} = 0$	—	5.5	7.5	mA
		I _{CC3}		AM mode, $V_{in} = 0$	—	3.7	5.5	
FM	Input Limiting Sensitivity	V_{in} (lim)	1	-3dB Limiting	43	48	53	$dB_{\mu V}$ EMF
	Recovered Output Voltage 1	V _{OD1}			35	55	70	mV_{rms}
	Signal To Noise Ratio 1	S/N1			—	60	—	dB
	Total Harmonic Distortion 1	THD1			—	0.5	—	%
	AM Rejection Ratio	AMR		MOD = 30%	—	40	—	dB
	Stop Pulse Sensitivity 1	SP1		$I_{12} = 0.5mA$, SW6 : a	50	55	60	$dB_{\mu V}$ EMF
	Stop Pulse Sensitivity 2	SP2		$I_{12} = 0.5mA$, $R_{SEN} = 39k\Omega$ SW6 : a, SW7 : OPEN	—	64	—	
	IF Output Voltage	V_{IF} (FM)		$\Delta f = 0$, SW7 : OPEN	—	80	—	mV_{p-p}
AM	Gain	G _V	1	$V_{in} = 26dB_{\mu V}$ EMF	15	27	—	mV_{rms}
	Recovered Output Voltage 2	V _{OD2}			30	45	60	
	Signal To Noise Ratio 2	S/N2			—	38	—	dB
	Total Harmonic Distortion 2	THD2			—	1.5	—	%
	Stop Pulse Sensitivity	SP3		$I_{12} = 0.5mA$, SW6 : a	25	30	35	$dB_{\mu V}$ EMF
	IF Output Voltage	V_{IF} (AM)		MOD = 0, SW7 : OPEN	—	100	—	mV_{p-p}
	Oscillator Voltage	V_{osc}		2		30	55	—
Oscillator Stop Voltage	V_{stop}		—		—	0.95	V	

CHARACTERISTIC		SYMBOL	TEST CIRCUIT	TEST CONDITION	MIN.	TYP.	MAX.	UNIT		
M P X	Voltage Gain 1	GV (FM)	1	$V_{in} = 100mV_{rms}$ (MONO)	- 1.5	+ 0.5	+ 2.5	dB		
	Voltage Gain 2	GV (AM)			- 0.5	+ 1.5	+ 3.5			
	Channel Balance	CB			- 2	—	+ 2			
	Maximum Composite Signal Input Level	V_{in} (MAX)		L + R = 90%, P = 10% THD = 3%	—	220	—	mV _{rms}		
	Total Harmonic Distortion	MONO		THD3	$V_{in} = 100mV_{rms}$ (MONO)	—	0.2	0.5	%	
		STEREO		THD4	L + R = 90mV _{rms} , P = 10mV _{rms}	—	0.3	—		
		AM		THD5	$V_{in} = 100mV_{rms}$	—	0.2	—		
	Separation	SEP			L + R = 90mV _{rms} P = 10mV _{rms}	$f_m = 100Hz$	—	36	—	dB
						$f_m = 1kHz$	25	35	—	
						$f_m = 10kHz$	—	34	—	
	Stereo Indicator Sensitivity	ON		ST (ON)	Pilot signal input $I_{13} = 0.5mA$, SW5 : a	—	5.5	8	mV _{rms}	
		OFF		ST (OFF)		2	4	—		
	Stereo Indicator Hysteresis			V_H	To indicator turn off from turn on	—	1.5	—	mV _{rms}	
	Capture Range			CR	P = 10mV _{rms} , $f_p = 19kHz$	—	± 7	—	%	
Signal Noise Ratio 3		S / N3	$V_{in} = 100mV_{rms}$ (MONO)	—	65	—	dB			
Power Switch	On Current	I_{23}	2	$V_{CC} = 0.95V$	SW1 : c	5	—	—	μA	
	Off Voltage	V_{23}			SW1 : d	0	—	0.3	V	
AM Mode On Current		I_{19}			SW3 : c	50	—	—	μA	
FM MONO Mode On Voltage		V_{16}			SW4 : ON	—	0.1	—	V	
IF Request Off Voltage		V_{11}			SW7 : ON	0.9	—	—	V	

TEST CIRCUIT 1



* Temperature coefficient : SH (-330ppm/°C)

CF₁ : SFE10.7MA8 (MURATA Co., Ltd.)

CF₂ : PFA450A (MURATA Co., Ltd.)

CR : CDA10.7MG50 (MURATA Co., Ltd.)

• For measurement of the THD₄, V_{in}(Max), and SEP the filter shown in Figure 10 is used.

ATT : ATT ≥ 60dB (f = 19~100kHz)

Filter : 4501-054 (SUMIDA ELECTRIC Co., LTD) with insertion loss of 0.3dB

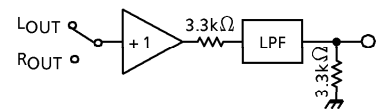
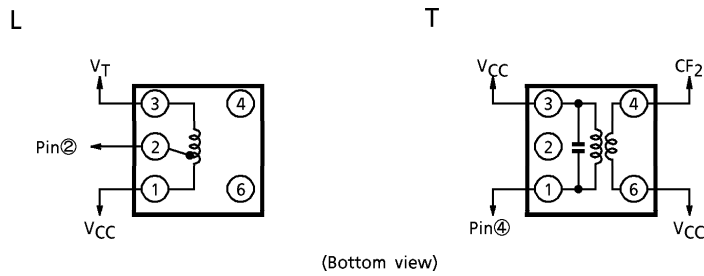


Fig.10 Filter circuit

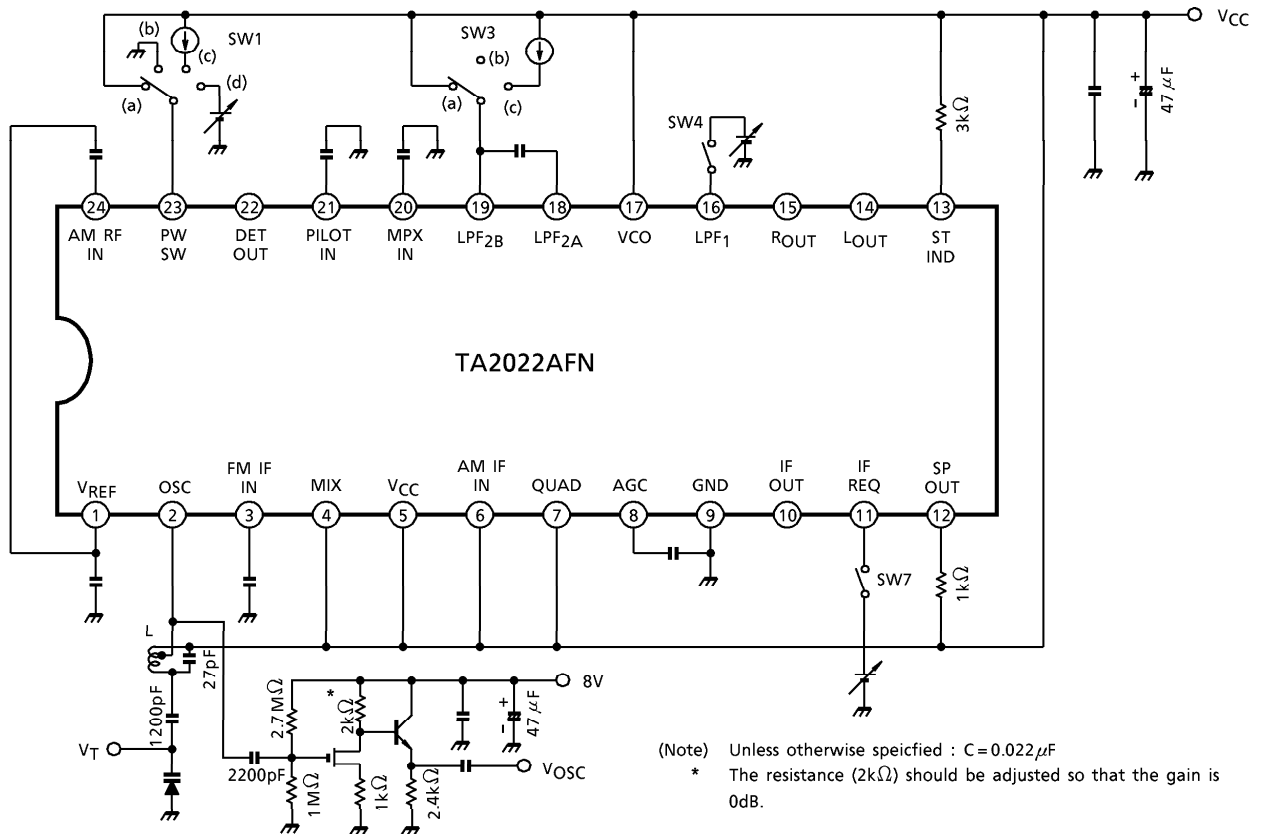
COIL DATA

COIL	TEST FREQUENCY	L (μ H)	Co (pF)	Qo	TURNS				WIRE (mm ϕ)	REFERENCE (COIL No.)
					1-2	2-3	1-3	4-6		
L AM OSC	796kHz	100	—	85	13	55	—	—	0.06UEW	Ⓢ4187-144
T AM IFT	450kHz	—	180	65	—	—	184	29	0.05UEW	Ⓢ4161-242

Ⓢ : SUMIDA ELECTRIC Co., LTD.

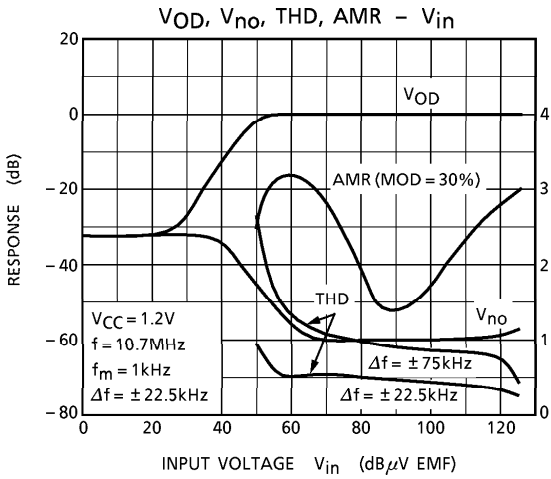


TEST CIRCUIT 2

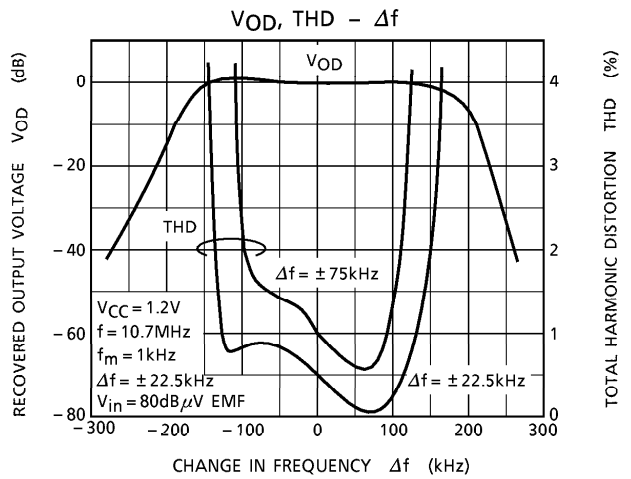


CHARACTERISTIC CURVE

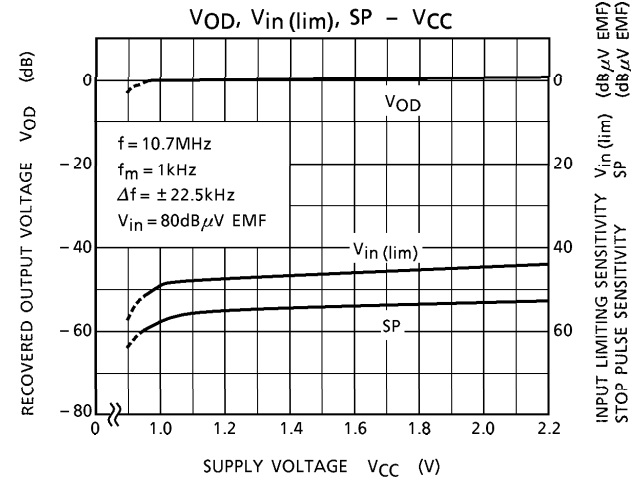
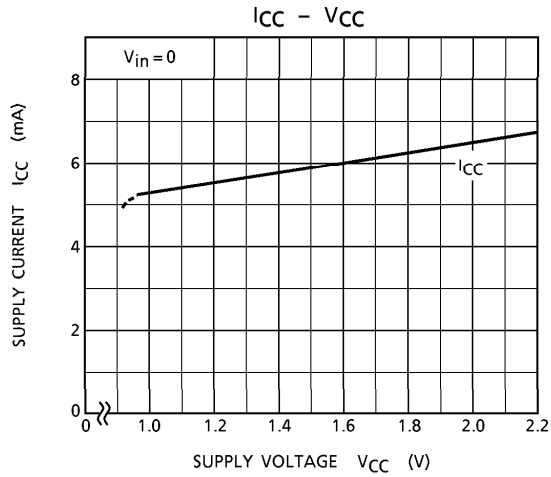
FM IF



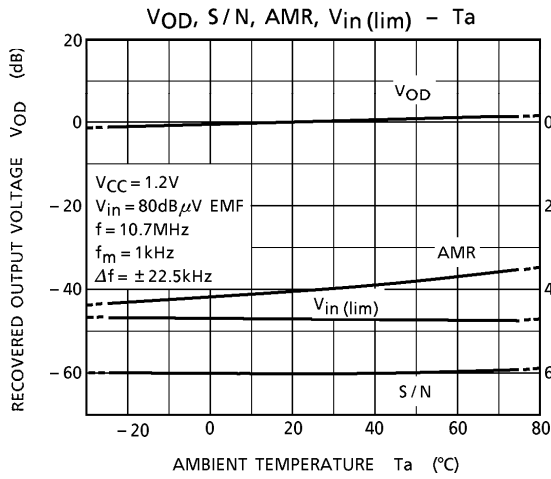
TOTAL HARMONIC DISTORTION THD (%)



TOTAL HARMONIC DISTORTION THD (%)

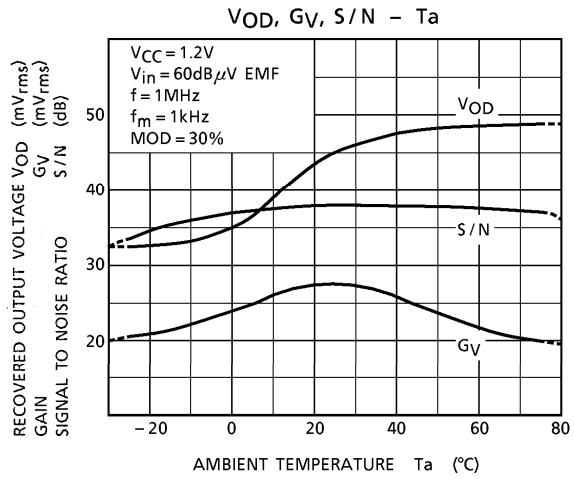
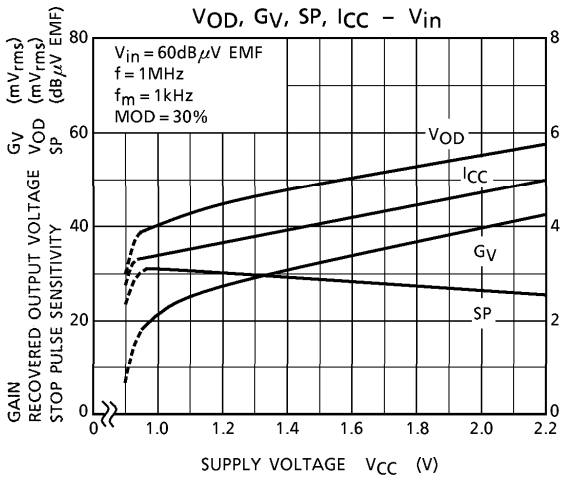
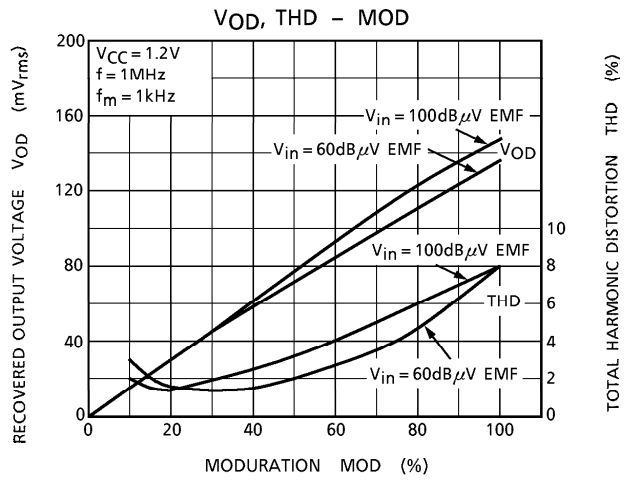
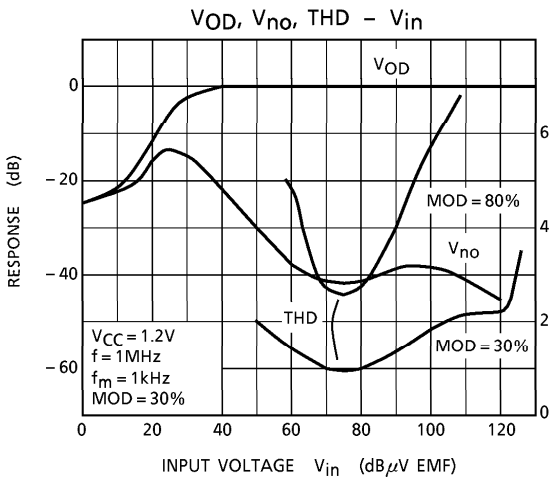


INPUT LIMITING SENSITIVITY V_{in}(lim) (dB μ V EMF)
STOP PULSE SENSITIVITY SP (dB μ V EMF)

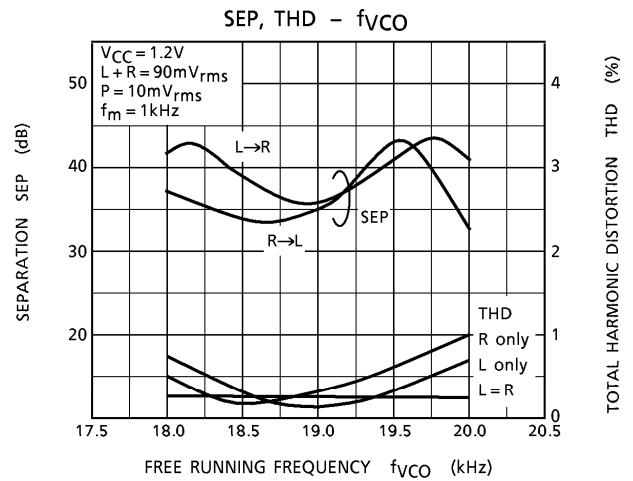
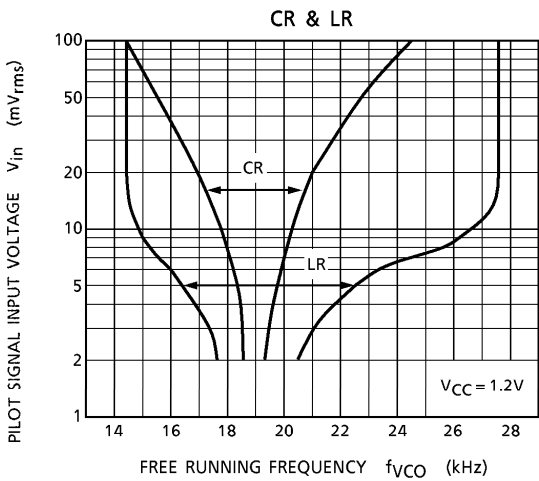


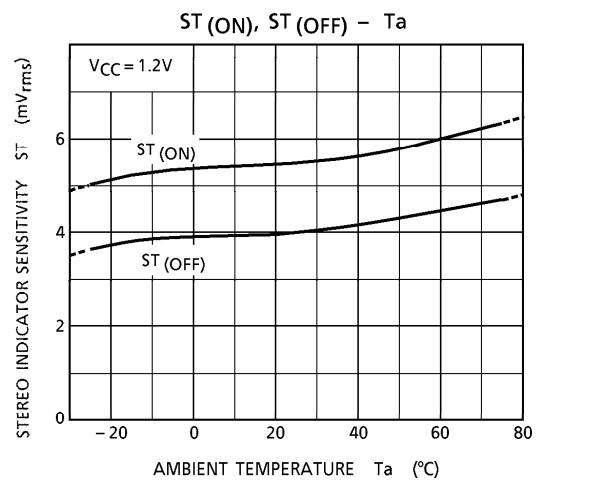
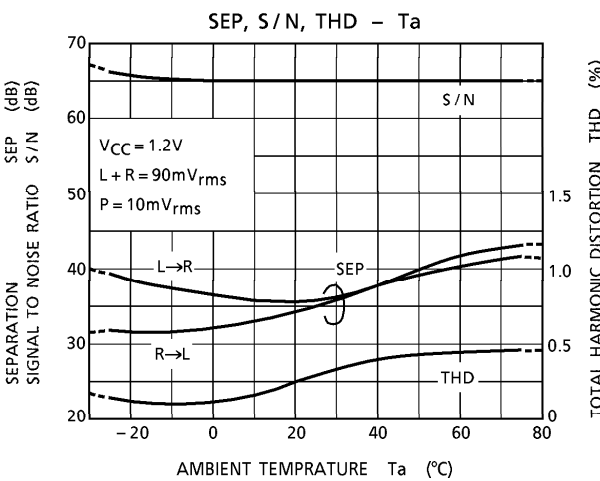
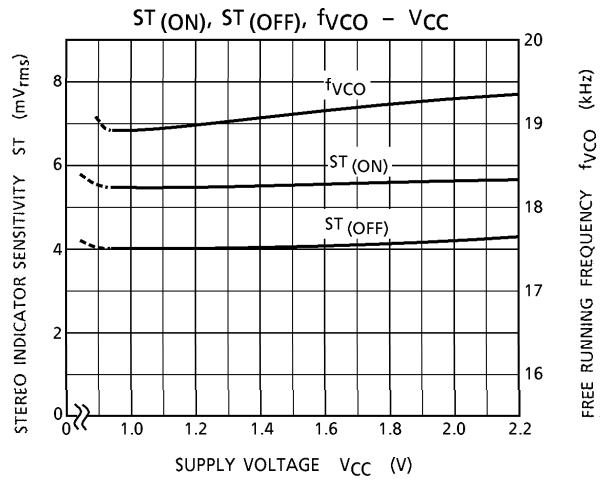
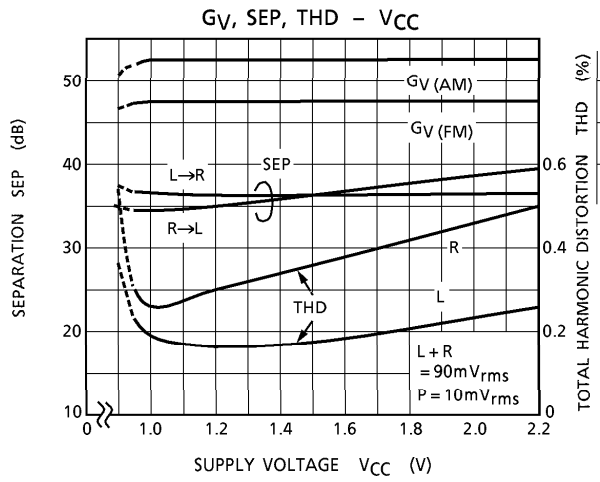
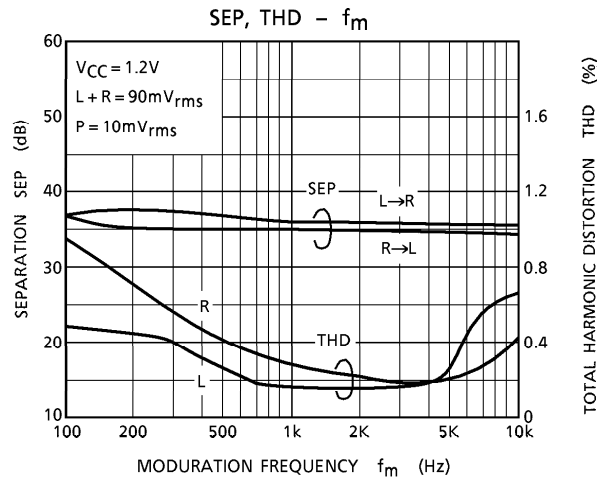
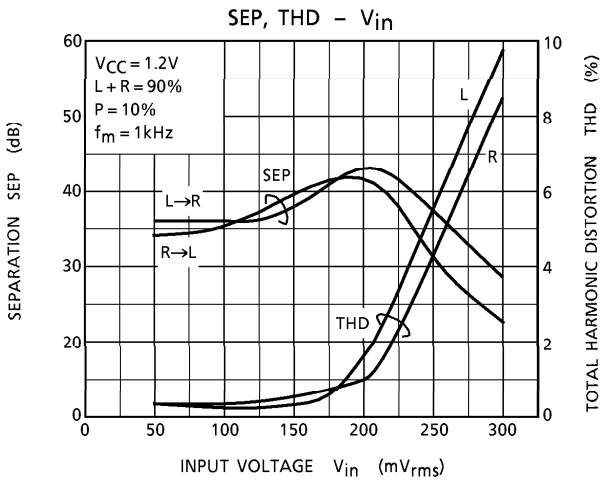
AM REJECTION RATIO AMR (dB)
SIGNAL TO NOISE RATIO S/N (dB)
INPUT LIMITING SENSITIVITY V_{in}(lim) (dB μ V EMF)

AM



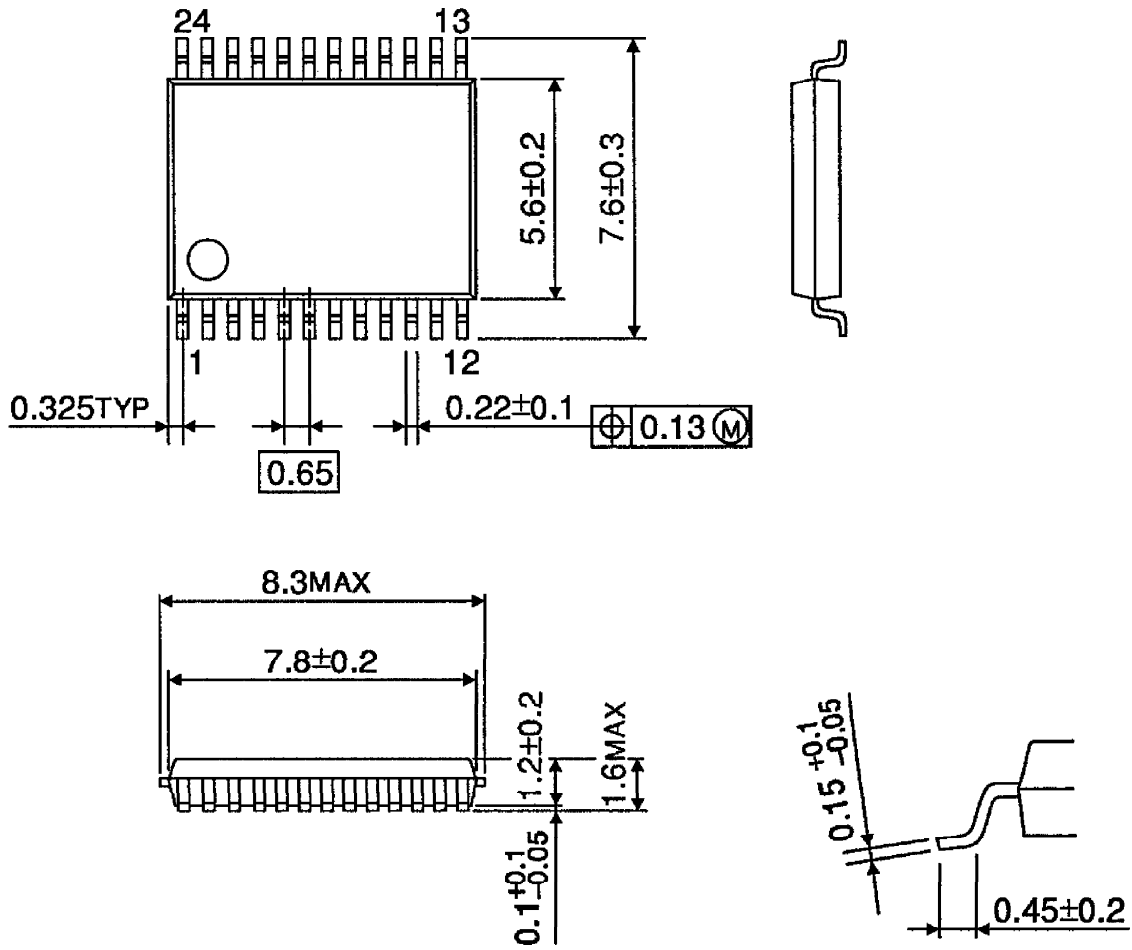
MPX





OUTLINE DRAWING
SSOP24-P-300-0.65A

Unit : mm



Weight : 0.14g (Typ.)