

# DATA SHEET

## **TDA1072A** AM receiver circuit

Product specification  
File under Integrated Circuits, IC01

May 1984

**AM receiver circuit****TDA1072A****GENERAL DESCRIPTION**

The TDA1072A integrated AM receiver circuit performs the active and part of the filtering functions of an AM radio receiver. It is intended for use in mains-fed home receivers and car radios. The circuit can be used for oscillator frequencies up to 50 MHz and can handle r.f. signals up to 500 mV. R.F. radiation and sensitivity to interference are minimized by an almost symmetrical design. The voltage-controlled oscillator provides signals with extremely low distortion and high spectral purity over the whole frequency range even when tuning with variable capacitance diodes. If required, band switching diodes can easily be applied. Selectivity is obtained using a block filter before the i.f. amplifier.

**Features**

- Inputs protected against damage by static discharge
- Gain-controlled r.f. stage
- Double balanced mixer
- Separately buffered, voltage-controlled and temperature-compensated oscillator, designed for simple coils
- Gain-controlled i.f. stage with wide a.g.c. range
- Full-wave, balanced envelope detector
- Internal generation of a.g.c. voltage with possibility of second-order filtering
- Buffered field strength indicator driver with short-circuit protection
- A.F. preamplifier with possibilities for simple a.f. filtering
- Electronic standby switch.

**QUICK REFERENCE DATA**

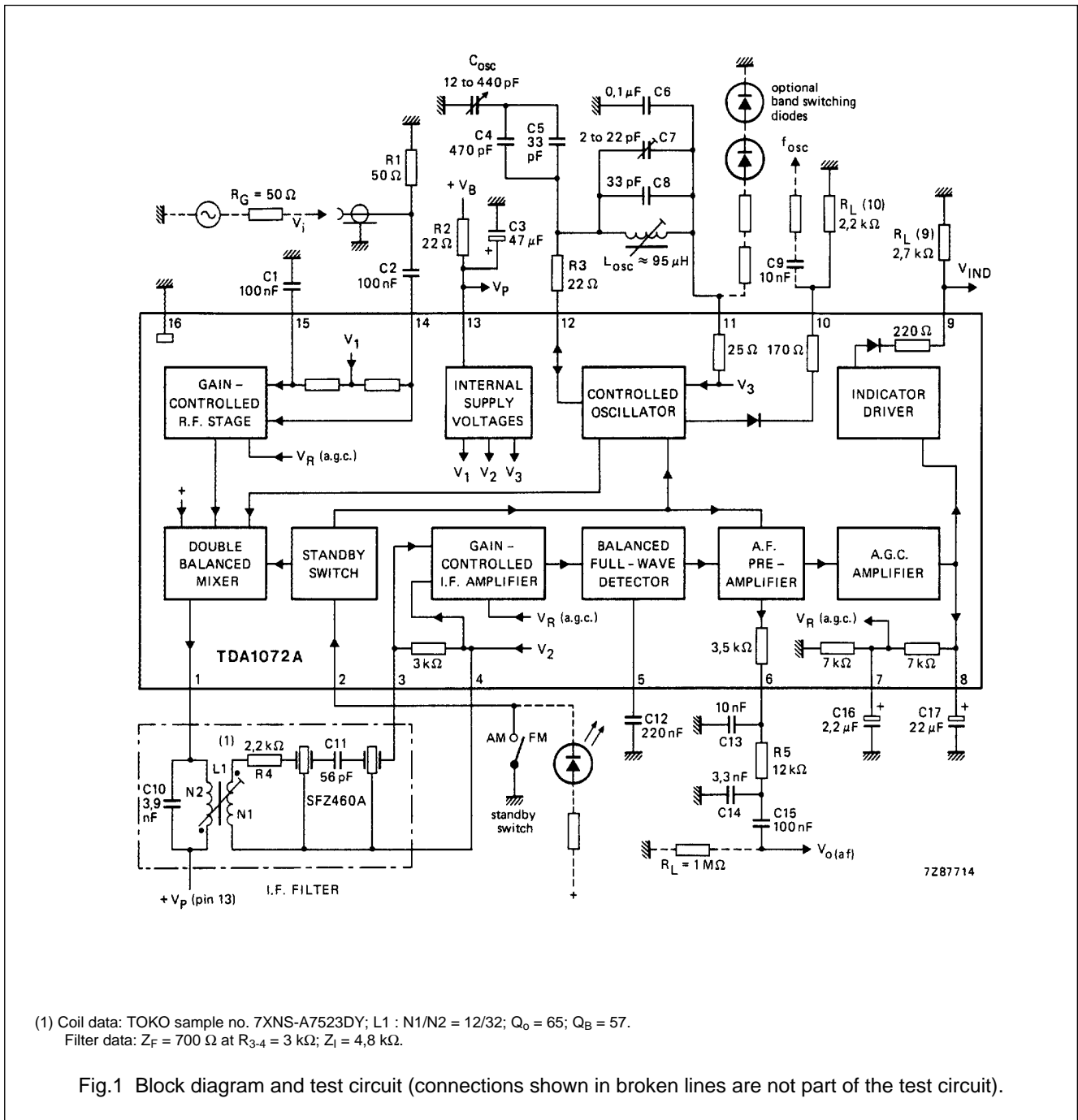
Supply voltage range	$V_P$	7,5 to 18 V
Supply current range	$I_P$	15 to 30 mA
R.F. input voltage for $S + N/N = 6$ dB at $m = 30\%$	$V_i$	typ. 1,5 $\mu$ V
R.F. input voltage for 3% total harmonic distortion (THD) at $m = 80\%$	$V_i$	typ. 500 mV
A.F. output voltage with $V_i = 2$ mV; $f_i = 1$ MHz; $m = 30\%$ and $f_m = 400$ Hz	$V_{o(af)}$	typ. 310 mV
A.G.C. range: change of $V_i$ for 1 dB change of $V_{o(af)}$		typ. 86 dB
Field strength indicator voltage at $V_i = 500$ mV; $R_{L(9)} = 2,7$ k $\Omega$	$V_{IND}$	typ. 2,8 V

**PACKAGE OUTLINE**

16-lead DIL; plastic (SOT38); SOT38-1; 1996 August 09.

AM receiver circuit

TDA1072A



---

## AM receiver circuit

## TDA1072A

---

### FUNCTIONAL DESCRIPTION

#### Gain-controlled r.f. stage and mixer

The differential amplifier in the r.f. stage employs an a.g.c. negative feedback network to provide a wide dynamic range. Very good cross-modulation behaviour is achieved by a.g.c. delays at the various signal stages. Large signals are handled with low distortion and the S/N ratio of small signals is improved. Low noise working is achieved in the differential amplifier by using transistors with low base resistance.

A double balanced mixer provides the i.f. output signal to pin 1.

#### Oscillator

The differential amplifier oscillator is temperature compensated and is suitable for simple coil connection. The oscillator is voltage-controlled and has little distortion or spurious radiation. It is specially suitable for electronic tuning using variable capacitance diodes. Band switching diodes can easily be applied using the stabilized voltage  $V_{11-16}$ . An extra buffered oscillator output (pin 10) is available for driving a synthesizer. If this is not needed, resistor  $R_{L(10)}$  can be omitted.

#### Gain-controlled i.f. amplifier

This amplifier comprises two cascaded, variable-gain differential amplifier stages coupled by a band-pass filter. Both stages are gain-controlled by the a.g.c. negative feedback network.

#### Detector

The full-wave, balanced envelope detector has very low distortion over a wide dynamic range. Residual i.f. carrier is blocked from the signal path by an internal low-pass filter.

#### A.F. preamplifier

This stage preamplifies the audio frequency output signal. The amplifier output has an emitter follower with a series resistor which, together with an external capacitor, yields the required low-pass for a.f. filtering.

#### A.G.C. amplifier

The a.g.c. amplifier provides a control voltage which is proportional to the carrier amplitude. Second-order filtering of the a.g.c. voltage achieves signals with very little distortion, even at low audio frequencies. This method of filtering also gives fast a.g.c. settling time which is advantageous for electronic search tuning. The a.g.c. settling time can be further reduced by using capacitors of smaller value in the external filter (C16 and C17). The a.g.c. voltage is fed to the r.f. and i.f. stages via suitable a.g.c. delays. The capacitor at pin 7 can be omitted for low-cost applications.

#### Field strength indicator output

A buffered voltage source provides a high-level field strength output signal which has good linearity for logarithmic input signals over the whole dynamic range. If the field strength information is not needed,  $R_{L(9)}$  can be omitted.

#### Standby switch

This switch is primarily intended for AM/FM band switching. During standby mode the oscillator, mixer and a.f. preamplifier are switched off.

#### Short-circuit protection

All pins have short-circuit protection to ground.

## AM receiver circuit

## TDA1072A

**RATINGS**

Limiting values in accordance with the Absolute Maximum Rating System (IEC 134)

Supply voltage	$V_P = V_{13-16}$	max.	20 V
Total power dissipation	$P_{tot}$	max.	875 mW
Input voltage	$ V_{14-15} $	max.	12 V
	$-V_{14-16}, -V_{15-16}$	max.	0,6 V
	$V_{14-16}, V_{15-16}$	max.	$V_P$ V
Input current	$ I_{14} ,  I_{15} $	max.	200 mA
Operating ambient temperature range	$T_{amb}$	-40 to	+ 80 °C
Storage temperature range	$T_{stg}$	-55 to	+ 150 °C
Junction temperature	$T_j$	max.	+ 125 °C

**THERMAL RESISTANCE**

From junction to ambient	$R_{th\ j-a}$	=	80	K/W
--------------------------	---------------	---	----	-----

**DEVICE CHARACTERISTICS**

$V_P = V_{13-16} = 8,5$  V;  $T_{amb} = 25$  °C;  $f_i = 1$  MHz;  $f_m = 400$  Hz;  $m = 30\%$ ;  $f_{if} = 460$  kHz; measured in test circuit of Fig.1; unless otherwise specified

PARAMETER	SYMBOL	MIN.	TYP.	MAX.	UNIT
<b>Supplies</b>					
Supply voltage	$V_P = V_{13-16}$	7,5	8,5	18	V
Supply current	$I_P = I_{13}$	15	23	30	mA
<b>R.F. stage and mixer</b>					
Input voltage (d.c. value)	$V_{14-16}, V_{15-16}$	–	$V_P/2$	–	V
R.F. input impedance at $V_i < 300$ $\mu$ V	$R_{14-16}, R_{15-16}$	–	5,5	–	k $\Omega$
	$C_{14-16}, C_{15-16}$	–	25	–	pF
R.F. input impedance at $V_i > 10$ mV	$R_{14-16}, R_{15-16}$	–	8	–	k $\Omega$
	$C_{14-16}, C_{15-16}$	–	22	–	pF
I.F. output impedance	$R_{1-16}$	500	–	–	k $\Omega$
	$C_{1-16}$	–	6	–	pF
Conversion transconductance before start of a.g.c.	$I_1/V_i$	–	6,5	–	mA/V
Maximum i.f. output voltage, inductive coupling to pin 1	$V_{1-13(p-p)}$	–	5	–	V
D.C. value of output current (pin 1) at $V_i = 0$ V	$I_1$	–	1,2	–	mA
A.G.C. range of input stage		–	30	–	dB
R.F. signal handling capability: input voltage for THD = 3% at $m = 80\%$	$V_{i(rms)}$	–	500	–	mV

## AM receiver circuit

## TDA1072A

PARAMETER	SYMBOL	MIN.	TYP.	MAX.	UNIT
<b>Oscillator</b>					
Frequency range	$f_{osc}$	0,6	–	60	MHz
Oscillator amplitude (pins 11 to 12)	$V_{11-12}$	–	130	150	mV
External load impedance	$R_{12-11(ext)}$	0,5	–	200	k $\Omega$
External load impedance for no oscillation	$R_{12-11(ext)}$	–	–	60	$\Omega$
Ripple rejection at $V_{P(rms)} = 100$ mV; $f_p = 100$ Hz ( $RR = 20 \log [V_{13-16}/V_{11-16}]$ )	RR	–	55	–	dB
Source voltage for switching diodes ( $6 \times V_{BE}$ )	$V_{11-16}$	–	4,2	–	V
D.C. output current (for switching diodes)	$-I_{11}$	0	–	20	mA
Change of output voltage at $\Delta I_{11} = 20$ mA (switch to maximum load)	$\Delta V_{11-16}$	–	0,5	–	V
<b>Buffered oscillator output</b>					
D.C. output voltage	$V_{10-16}$	–	0,7	–	V
Output signal amplitude	$V_{10-16(p-p)}$	–	320	–	mV
Output impedance	$R_{10}$	–	170	–	$\Omega$
Output current	$-I_{10(peak)}$	–	–	3	mA
<b>I.F., a.g.c. and a.f. stages</b>					
D.C. input voltage	$V_{3-16}, V_{4-16}$	–	2,0	–	V
I.F. input impedance	$R_{3-4}$	2,4	3	3,9	k $\Omega$
	$C_{3-4}$	–	7	–	pF
I.F. input voltage for THD = 3% at $m = 80\%$	$V_{3-4}$	–	90	–	mV
Voltage gain before start of a.g.c.	$V_{3-4}/V_{6-16}$	–	68	–	dB
A.G.C. range of i.f. stages: change of $V_{3-4}$ for 1 dB change of $V_{o(af)}$ ; $V_{3-4(ref)} = 75$ mV	$\Delta V_{3-4}$	–	55	–	dB
A.F. output voltage at $V_{3-4(if)} = 50$ $\mu$ V	$V_{o(af)}$	–	130	–	mV
A.F. output voltage at $V_{3-4(if)} = 1$ mV	$V_{o(af)}$	–	310	–	mV
A.F. output impedance (pin 6)	$ Z_o $	–	3,5	–	k $\Omega$
<b>Indicator driver</b>					
Output voltage at $V_i = 0$ mV; $R_{L(9)} = 2,7$ k $\Omega$	$V_{9-16}$	–	20	150	mV
Output voltage at $V_i = 500$ mV; $R_{L(9)} = 2,7$ k $\Omega$	$V_{9-16}$	2,5	2,8	3,1	V
Load resistance	$R_{L(9)}$	1,5	–	–	k $\Omega$

## AM receiver circuit

## TDA1072A

PARAMETER	SYMBOL	MIN.	TYP.	MAX.	UNIT
<b>Standby switch</b>					
Switching threshold at $V_P = 7,5$ to $18$ V; $T_{amb} = -40$ to $+80$ °C					
on-voltage	$V_{2-16}$	0	–	2,0	V
off-voltage	$V_{2-16}$	3,5	–	20	V
on-current at $V_{2-16} = 0$ V	$-I_2$	–	–	200	$\mu$ A
off-current at $V_{2-16} = 20$ V	$ I_2 $	–	–	10	$\mu$ A

**OPERATING CHARACTERISTICS**

$V_P = 8,5$  V;  $f_i = 1$  MHz;  $m = 30\%$ ;  $f_m = 400$  Hz;  $T_{amb} = 25$  °C; measured in Fig.1; unless otherwise specified

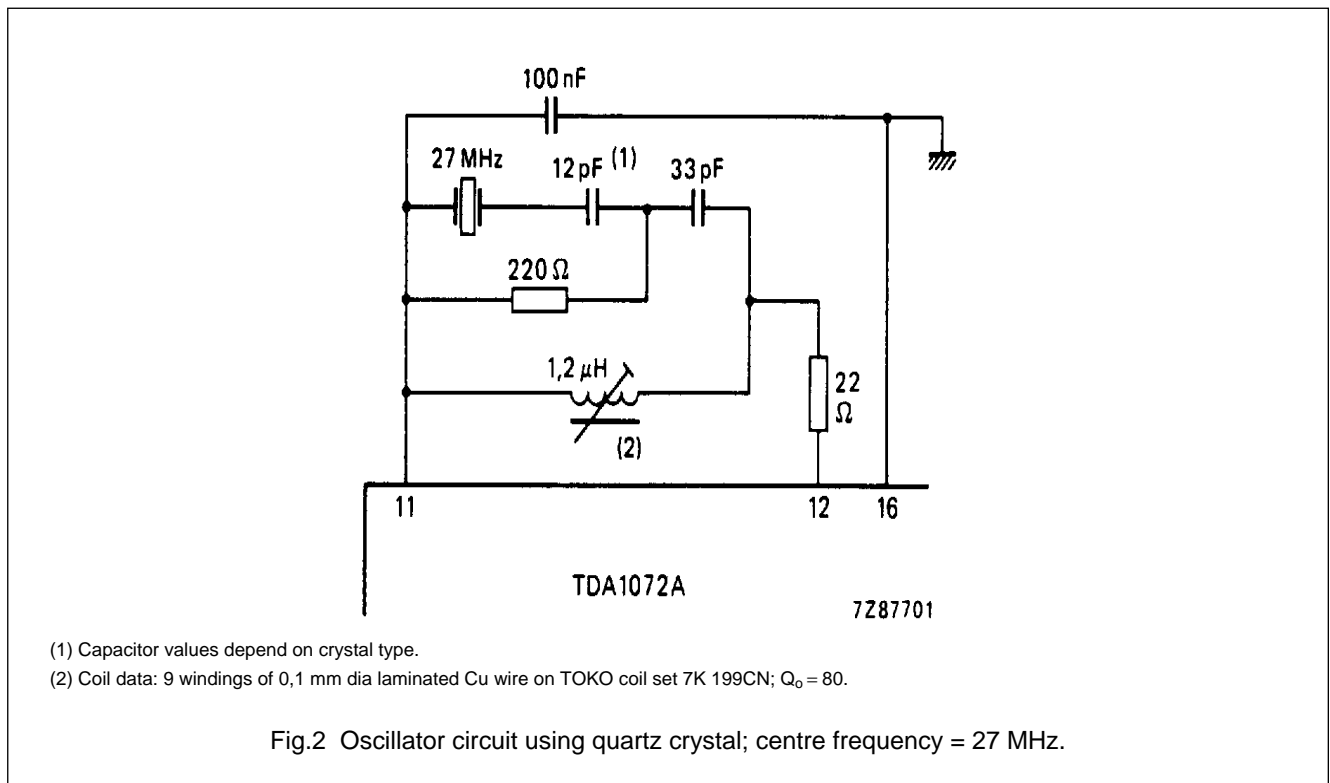
PARAMETER	SYMBOL	MIN.	TYP.	MAX.	UNIT
<b>R.F. sensitivity</b>					
R.F. input required for $S + N/N = 6$ dB	$V_i$	–	1,5	–	$\mu$ V
R.F. input required for $S + N/N = 26$ dB	$V_i$	–	15	–	$\mu$ V
R.F. input required for $S + N/N = 46$ dB	$V_i$	–	150	–	$\mu$ V
R.F. input at start of a.g.c.	$V_i$	–	30	–	$\mu$ V
<b>R.F. large signal handling</b>					
R.F. input at THD = 3%; $m = 80\%$	$V_i$	–	500	–	mV
R.F. input at THD = 3%; $m = 30\%$	$V_i$	–	700	–	mV
R.F. input at THD = 10%; $m = 30\%$	$V_i$	–	900	–	mV
<b>A.G.C. range</b>					
Change of $V_i$ for 1 dB change of $V_{o(af)}$ ; $V_{i(ref)} = 500$ mV	$\Delta V_i$	–	86	–	dB
Change of $V_i$ for 6 dB change of $V_{o(af)}$ ; $V_{i(ref)} = 500$ mV	$\Delta V_i$	–	91	–	dB
<b>Output signal</b>					
A.F. output voltage at $V_i = 4$ $\mu$ V; $m = 80\%$	$V_{o(af)}$	–	130	–	mV
A.F. output voltage at $V_i = 1$ mV	$V_{o(af)}$	240	310	390	mV
THD at $V_i = 1$ mV; $m = 80\%$	$d_{tot}$	–	0,5	–	%
THD at $V_i = 500$ mV; $m = 30\%$	$d_{tot}$	–	1	–	%
Signal-to-noise ratio at $V_i = 100$ mV	$(S + N)/N$	–	58	–	dB
Ripple rejection at $V_i = 2$ mV; $V_{P(rms)} = 100$ mV; $f_P = 100$ Hz ( $RR = 20 \log [V_P/V_{o(af)}]$ )	RR	–	38	–	dB

AM receiver circuit

TDA1072A

PARAMETER	SYMBOL	MIN.	TYP.	MAX.	UNIT
<b>Unwanted signals</b>					
Suppression of i.f. whistles at $V_i = 15 \mu\text{V}$ ; $m = 0\%$ related to a.f. signal of $m = 30\%$					
at $f_i \approx 2 \times f_{if}$	$\alpha_{2if}$	-	37	-	dB
at $f_i \approx 3 \times f_{if}$	$\alpha_{3if}$	-	44	-	dB
I.F. suppression at r.f. input					
for symmetrical input	$\alpha_{if}$	-	40	-	dB
for asymmetrical input	$\alpha_{if}$	-	40	-	dB
Residual oscillator signal at mixer output					
at $f_{osc}$	$I_{1(osc)}$	-	1	-	$\mu\text{A}$
at $2 \times f_{osc}$	$I_{1(2osc)}$	-	1,1	-	$\mu\text{A}$

APPLICATION INFORMATION





AM receiver circuit

TDA1072A

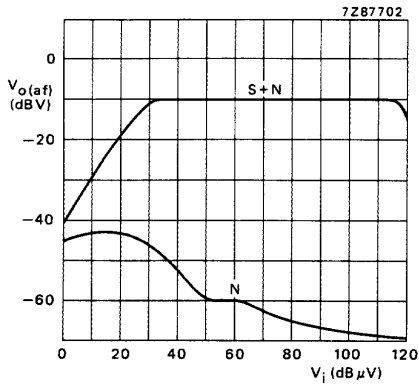


Fig.3 A.F. output as a function of r.f. input in the circuit of Fig.1;  $f_i = 1$  MHz;  $f_m = 400$  Hz;  $m = 30\%$ .

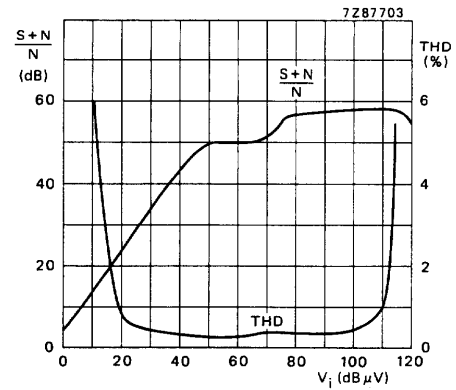


Fig.4 Total harmonic distortion and  $(S+N)/N$  as functions of r.f. input in the circuit of Fig.1;  $m = 30\%$  for  $(S+N)/N$  curve and  $m = 80\%$  for THD curve.

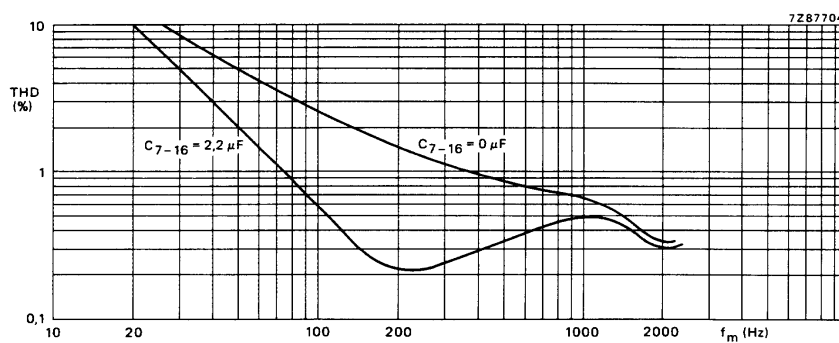


Fig.5 Total harmonic distortion as a function of modulation frequency at  $V_i = 5$  mV;  $m = 80\%$ ; measured in the circuit of Fig.1 with  $C_{7-16(ext)} = 0 \mu F$  and  $2.2 \mu F$ .

AM receiver circuit

TDA1072A

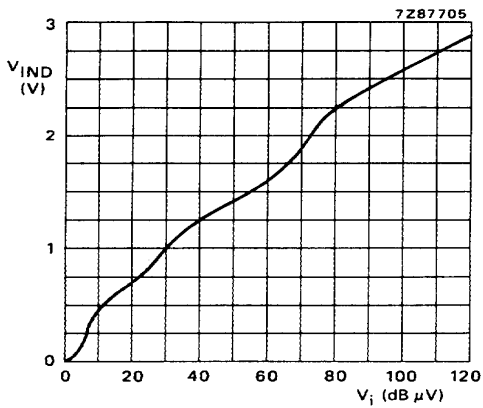


Fig.6 Indicator driver voltage as a function of r.f. input in the circuit of Fig.1.

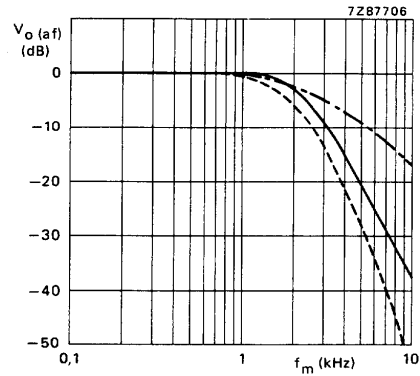


Fig.7 Typical frequency response curves from Fig.1 showing the effect of filtering as follows:  
 ——— with i.f. filter;  
 - - - - - with a.f. filter;  
 - · - · - with i.f. and a.f. filters.

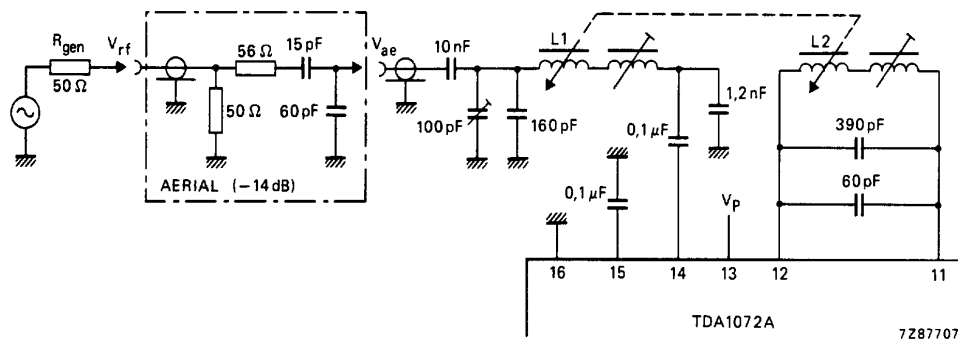


Fig.8 Car radio application with inductive tuning.

AM receiver circuit

TDA1072A

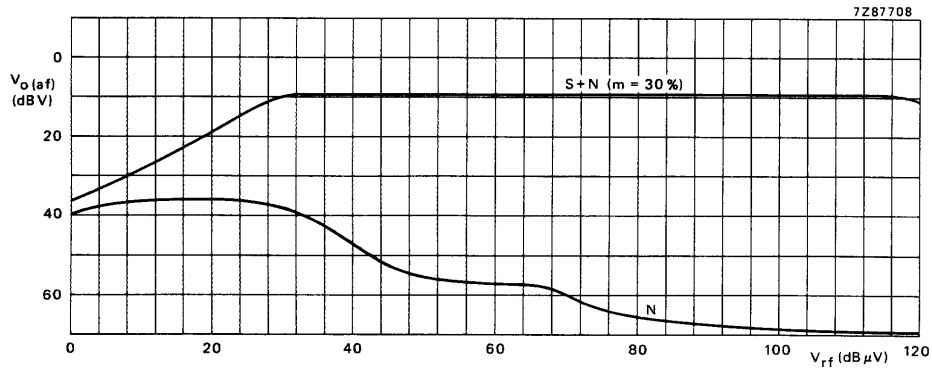


Fig.9 A.F. output as a function of r.f. input using the circuit of Fig.8 with that of Fig.1.

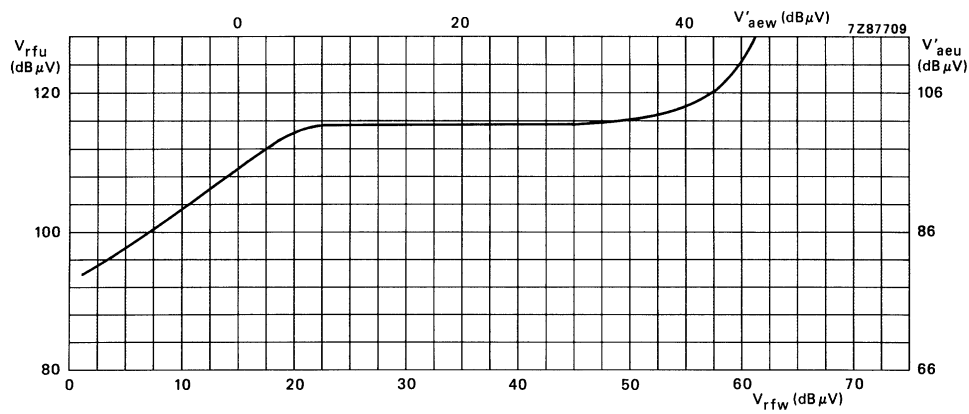


Fig.10 Suppression of cross-modulation as a function of input signal, measured in the circuit of Fig.8 with the input circuit as shown in Fig.11. Curve is for Wanted  $V_{o(af)}$ /Unwanted  $V_{o(af)}$  = 20 dB;  $V_{rf(w)}$ ,  $V_{rf(u)}$  are signals at the aerial input,  $V'_{aew}$ ,  $V'_{aeu}$  are signals at the unloaded output of the aerial.  
 Wanted signal ( $V'_{aew}$ ,  $V_{rf(w)}$ ):  $f_i = 1$  MHz;  $f_m = 400$  Hz;  $m = 30\%$ .  
 Unwanted signal ( $V'_{aeu}$ ,  $V_{rf(u)}$ ):  $f_i = 900$  kHz;  $f_m = 400$  Hz;  $m = 30\%$ .  
 Effective selectivity of input tuned circuit = 21 dB.

AM receiver circuit

TDA1072A

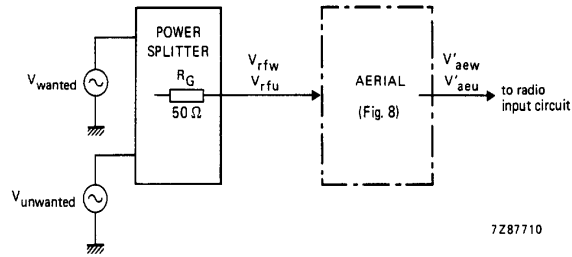


Fig.11 Input circuit to show cross-modulation suppression (see Fig.10).

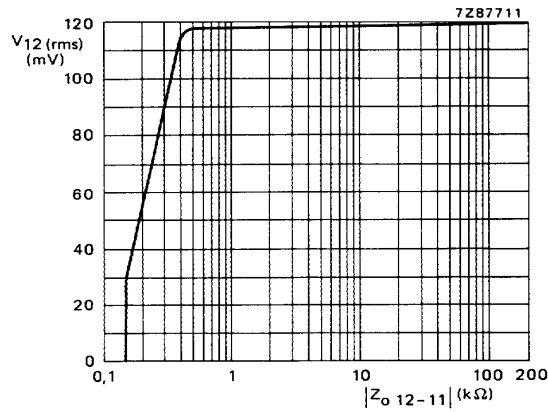


Fig.12 Oscillator amplitude as a function of pin 11, 12 impedance in the circuit of Fig.8.

AM receiver circuit

TDA1072A

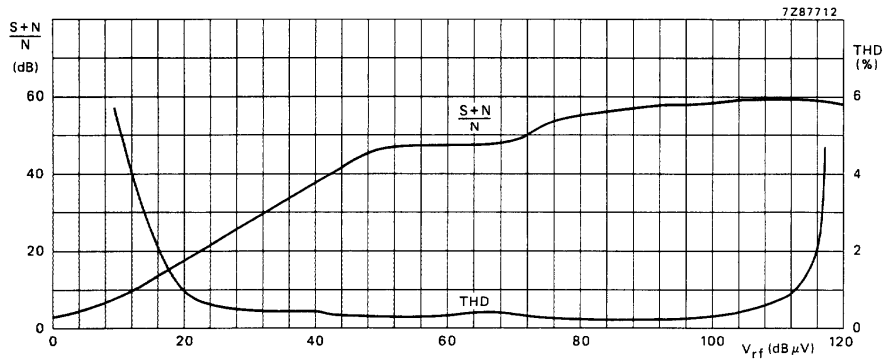


Fig.13 Total harmonic distortion and (S + N)/N as functions of r.f. input using the circuit of Fig.8 with that of Fig.1.

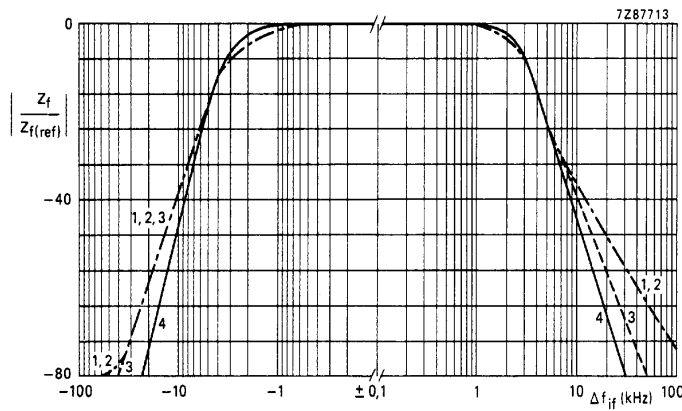


Fig.14 Forward transfer impedance as a function of intermediate frequency for filters 1 to 4 shown in Fig.15; centre frequency = 455 kHz.

AM receiver circuit

TDA1072A

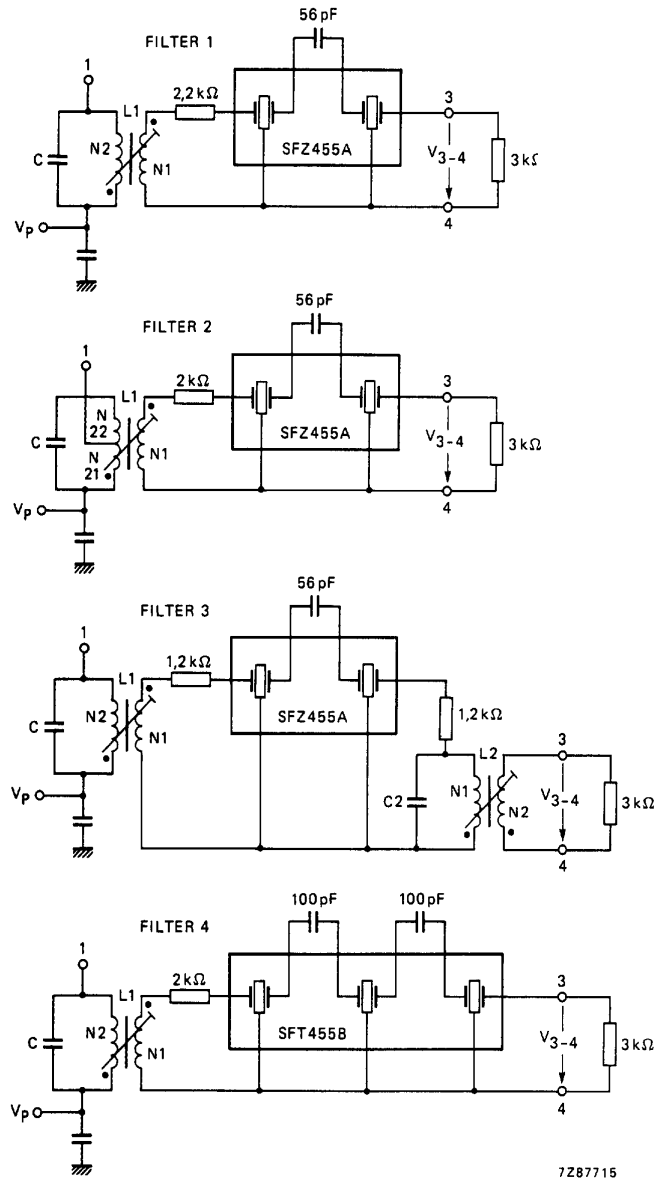
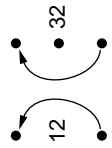
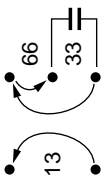

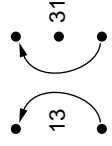


Fig.15 I.F. filter variants applied to the circuit of Fig.1. For filter data, refer to Table 1.

AM receiver circuit

TDA1072A

**Table 1** Data for I.F. filters shown in Fig.15. Criterium for adjustment is  $Z_F = \text{maximum}$  (optimum selectivity curve at centre frequency  $f_0 = 455 \text{ kHz}$ ). See also Fig.14.

FILTER NO.	1	2	3	4	UNIT
<b>Coil data</b>	L1	L1	L2	L1	
Value of C	3900	430	4700	3900	pF
N1: N2	12 : 32	13 : (33 + 66)	29 : 29	13 : 31	
Diameter of Cu laminated wire	0,09	0,08	0,08	0,09	mm
$Q_0$	65 (typ.)	50	60	75	
Schematic* of windings					
Toko order no.	7XNS-A7523DY	L7PES-A0060BTG	7XNS-A7518DY (N1) 7XNS-A7521AIH (N2)	7XNS-A7519DY	
<b>Resonators</b>	SFZ455A	SFZ455A	SFZ455A	SFT455B	
Murata type	4	4	4	6	dB
D (typical value)	3	3	3	3	kΩ
$R_G, R_L$	4,2	4,2	4,2	4,5	kHz
Bandwidth (-3 dB)	24	24	24	38	dB
$S_{9kHz}$					
<b>Filter data</b>					
$Z_I$	4,8	3,8	4,2	4,8	kΩ
$Q_B$	57	40	18 (L2)	55	
$Z_F$	0,70	0,67	0,68	0,68	kΩ
Bandwidth (-3 dB)	3,6	3,8	3,6	4,0	kHz
$S_{9kHz}$	35	31	36	42	dB
$S_{18kHz}$	52	49	54	64	dB
$S_{27kHz}$	63	58	66	74	dB

\* The beginning of an arrow indicates the beginning of a winding; N1 is always the inner winding, N2 the outer winding.

AM receiver circuit

TDA1072A

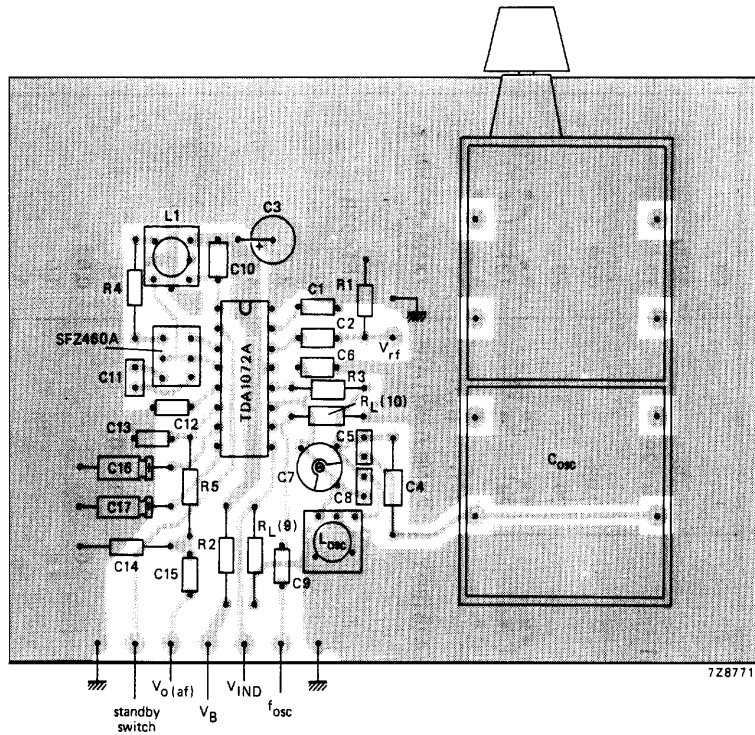


Fig.16 Printed-circuit board component side, showing component layout. For circuit diagram see Fig.1.



AM receiver circuit

TDA1072A

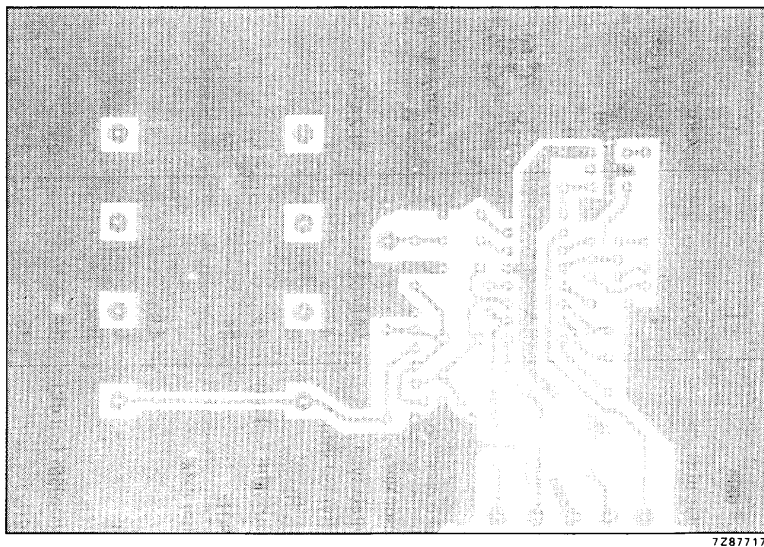
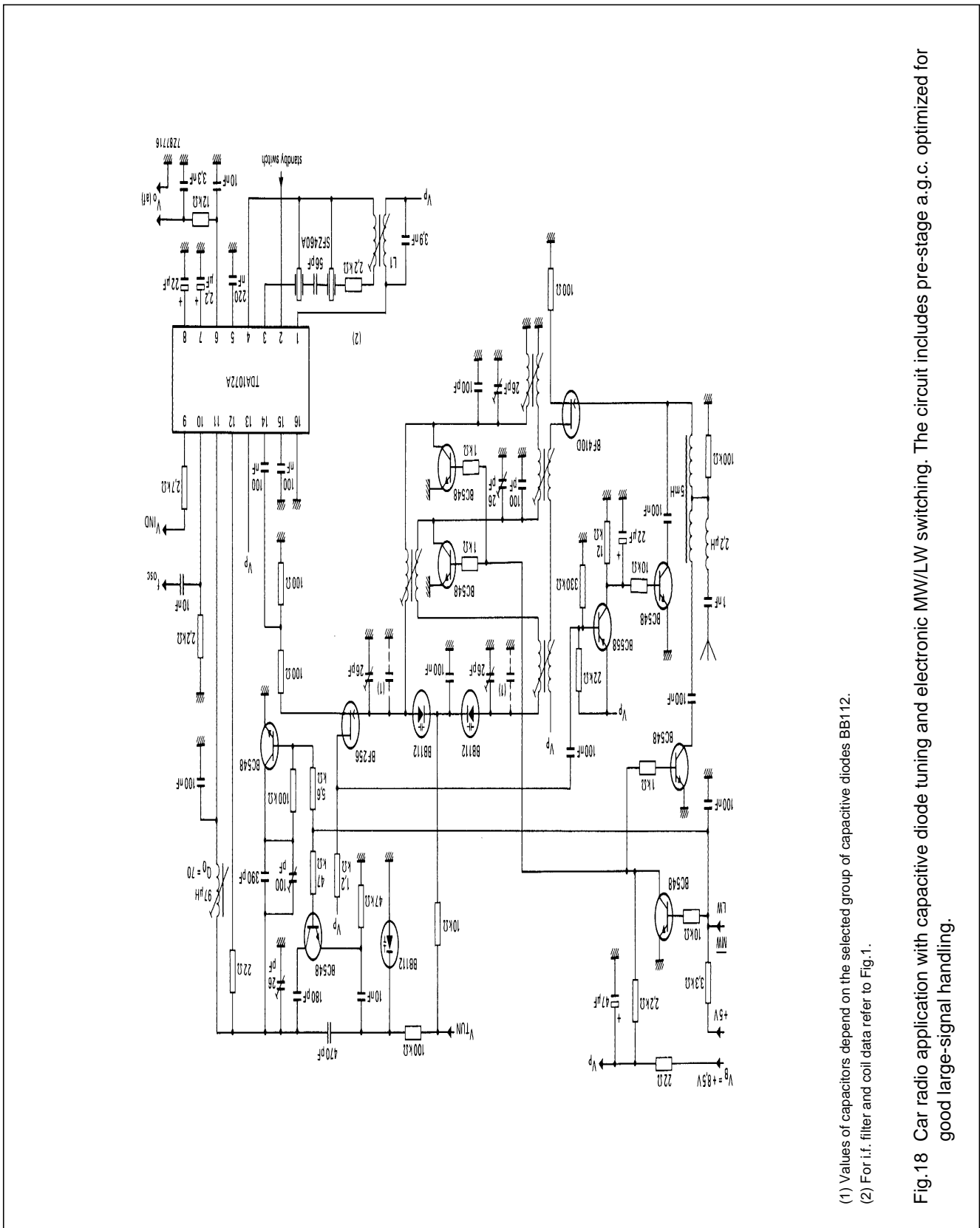


Fig.17 Printed-circuit board showing track side.

AM receiver circuit

TDA1072A



(1) Values of capacitors depend on the selected group of capacitive diodes BB112.  
 (2) For i.f. filter and coil data refer to Fig. 1.

Fig. 18 Car radio application with capacitive diode tuning and electronic MW/LW switching. The circuit includes pre-stage a.g.c. optimized for good large-signal handling.

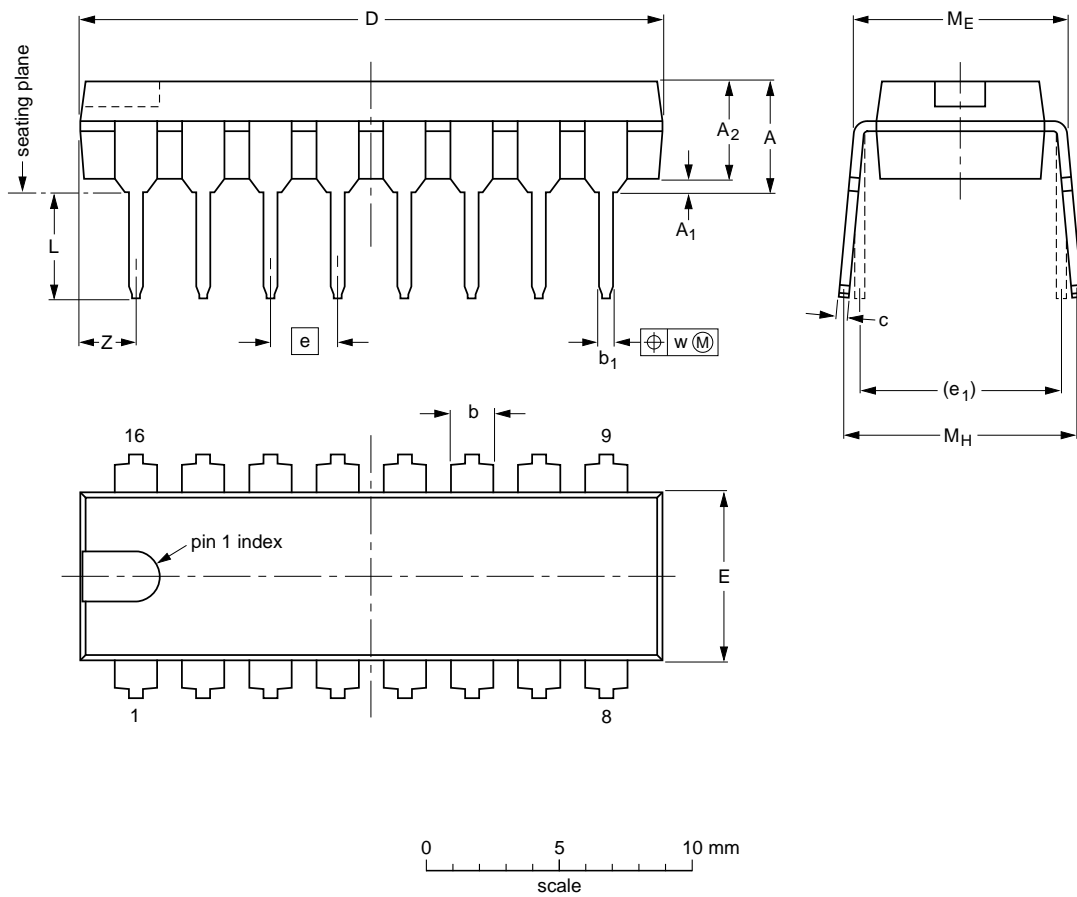
AM receiver circuit

TDA1072A

PACKAGE OUTLINE

DIP16: plastic dual in-line package; 16 leads (300 mil); long body

SOT38-1



DIMENSIONS (inch dimensions are derived from the original mm dimensions)

UNIT	A max.	A1 min.	A2 max.	b	b1	c	D <sup>(1)</sup>	E <sup>(1)</sup>	e	e1	L	ME	MH	w	Z <sup>(1)</sup> max.
mm	4.7	0.51	3.7	1.40 1.14	0.53 0.38	0.32 0.23	21.8 21.4	6.48 6.20	2.54	7.62	3.9 3.4	8.25 7.80	9.5 8.3	0.254	2.2
inches	0.19	0.020	0.15	0.055 0.045	0.021 0.015	0.013 0.009	0.86 0.84	0.26 0.24	0.10	0.30	0.15 0.13	0.32 0.31	0.37 0.33	0.01	0.087

Note

1. Plastic or metal protrusions of 0.25 mm maximum per side are not included.

OUTLINE VERSION	REFERENCES				EUROPEAN PROJECTION	ISSUE DATE
	IEC	JEDEC	EIAJ			
SOT38-1	050G09	MO-001AE				92-10-02 95-01-19

## AM receiver circuit

## TDA1072A

### SOLDERING

#### Introduction

There is no soldering method that is ideal for all IC packages. Wave soldering is often preferred when through-hole and surface mounted components are mixed on one printed-circuit board. However, wave soldering is not always suitable for surface mounted ICs, or for printed-circuits with high population densities. In these situations reflow soldering is often used.

This text gives a very brief insight to a complex technology. A more in-depth account of soldering ICs can be found in our "IC Package Databook" (order code 9398 652 90011).

#### Soldering by dipping or by wave

The maximum permissible temperature of the solder is 260 °C; solder at this temperature must not be in contact with the joint for more than 5 seconds. The total contact time of successive solder waves must not exceed 5 seconds.

The device may be mounted up to the seating plane, but the temperature of the plastic body must not exceed the specified maximum storage temperature ( $T_{stg\ max}$ ). If the printed-circuit board has been pre-heated, forced cooling may be necessary immediately after soldering to keep the temperature within the permissible limit.

#### Repairing soldered joints

Apply a low voltage soldering iron (less than 24 V) to the lead(s) of the package, below the seating plane or not more than 2 mm above it. If the temperature of the soldering iron bit is less than 300 °C it may remain in contact for up to 10 seconds. If the bit temperature is between 300 and 400 °C, contact may be up to 5 seconds.

### DEFINITIONS

Data sheet status	
Objective specification	This data sheet contains target or goal specifications for product development.
Preliminary specification	This data sheet contains preliminary data; supplementary data may be published later.
Product specification	This data sheet contains final product specifications.
Limiting values	
Limiting values given are in accordance with the Absolute Maximum Rating System (IEC 134). Stress above one or more of the limiting values may cause permanent damage to the device. These are stress ratings only and operation of the device at these or at any other conditions above those given in the Characteristics sections of the specification is not implied. Exposure to limiting values for extended periods may affect device reliability.	
Application information	
Where application information is given, it is advisory and does not form part of the specification.	

### LIFE SUPPORT APPLICATIONS

These products are not designed for use in life support appliances, devices, or systems where malfunction of these products can reasonably be expected to result in personal injury. Philips customers using or selling these products for use in such applications do so at their own risk and agree to fully indemnify Philips for any damages resulting from such improper use or sale.